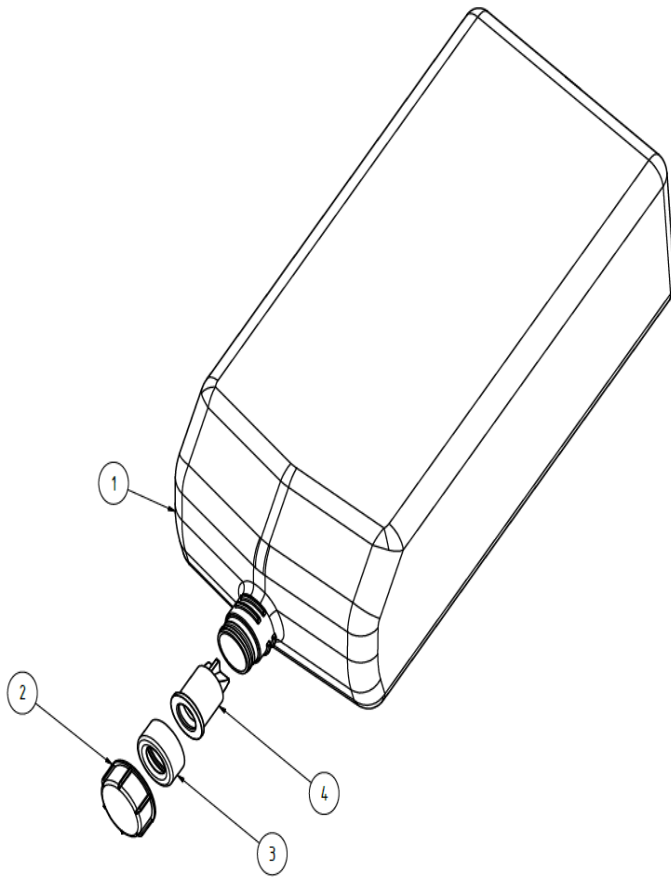


CODICE: QS.005

REFIL FOAM SOAP



Foam Soap

- Foam Soap with natural skin-related lipids
- Skin compatibility
- Skin-friendly pH value dermatologically tested
- Fragrance- and color-neutral

Ingredients: Aqua, Sodium Laureth Sulfate, Cocamidopropyl Betaine, PEG7 Glyceryl Cocoate, Glyceryl Oleate, Polyquaternium-7, Phenoxyethanol, Dehydroacetic acid, Lactic acid, Benzoic acid. Charge:

Soavex
Professional

Distributed by:

PAPERDI SRL A SOCIO UNICO
SEDE LEGALE VIA DEI MILLE, 40
80121 NAPOLI
+39 823 490 011
commerciale@paperdi.it

Made in Germany

ulticom Hygiene Deutschland GmbH
Hauptstraße 72
56858 Altlay
+49 6 5438 016 390
verwaltung@ulticom.de

800 ml e



CAPACITA': 800 ML

SAPONE NEUTRO IN SCHIUMA

RICARICA IN PLASTICA RIGIDA CON VALVOLA DI SILICONE, GUARNIZIONE E TAPPO

NR. DISPENSER PER SINGOLA CONFEZIONE:12

PAPERDI SRL A SOCIO UNICO